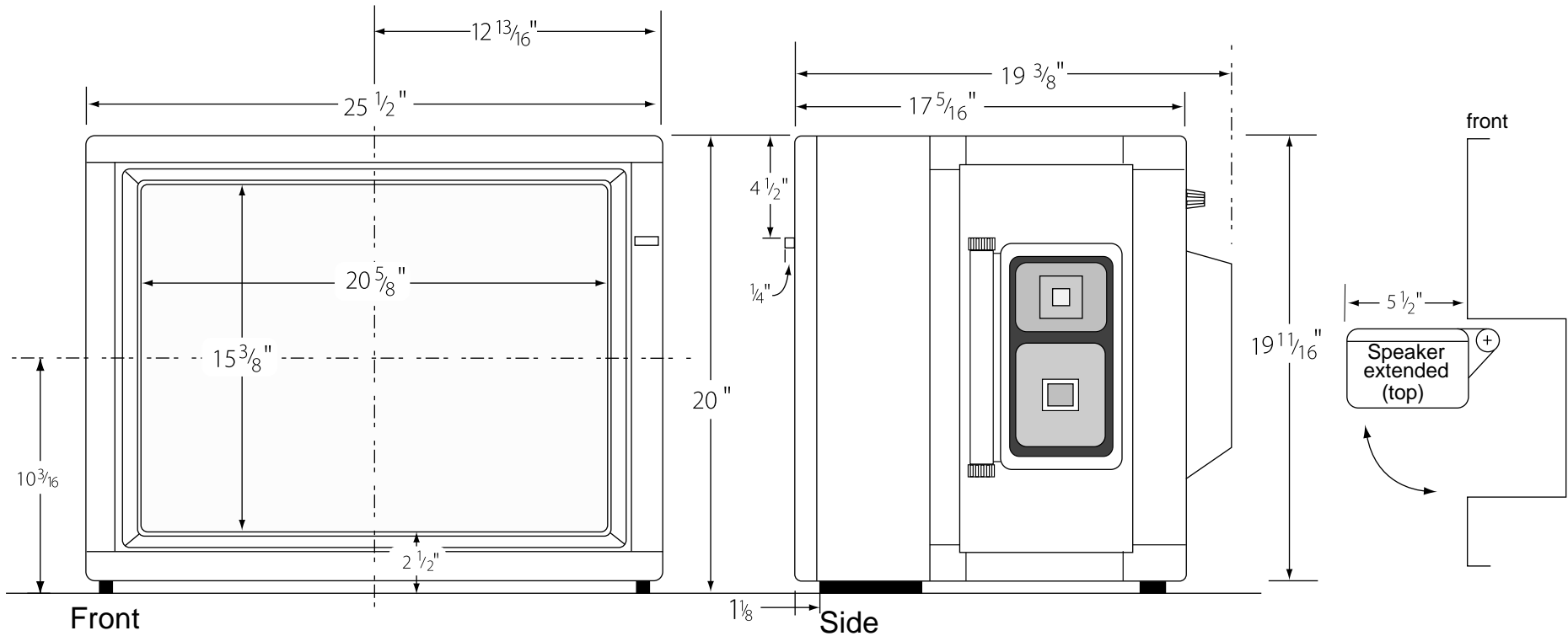


# Sony PVM-2530 25" Video Monitor



**RIVERVIEW  
SYSTEMS  
GROUP, INC.**  
 1565-C MABURY ROAD  
 SAN JOSE, CA 95133  
 408/347-3700  
 FAX: 408/347-3701  
 WEB: www.riverview.com

Weight:	150lb
Electrical Line / Load:	120 vac /200 w
Contol Location;	Front / LT/RT
Connector Location:	Back / Lower
Ventilation Exhausts::	Top and Sides
IR Remote Window:	Front Sides/LT/RT
Recommendations:	None