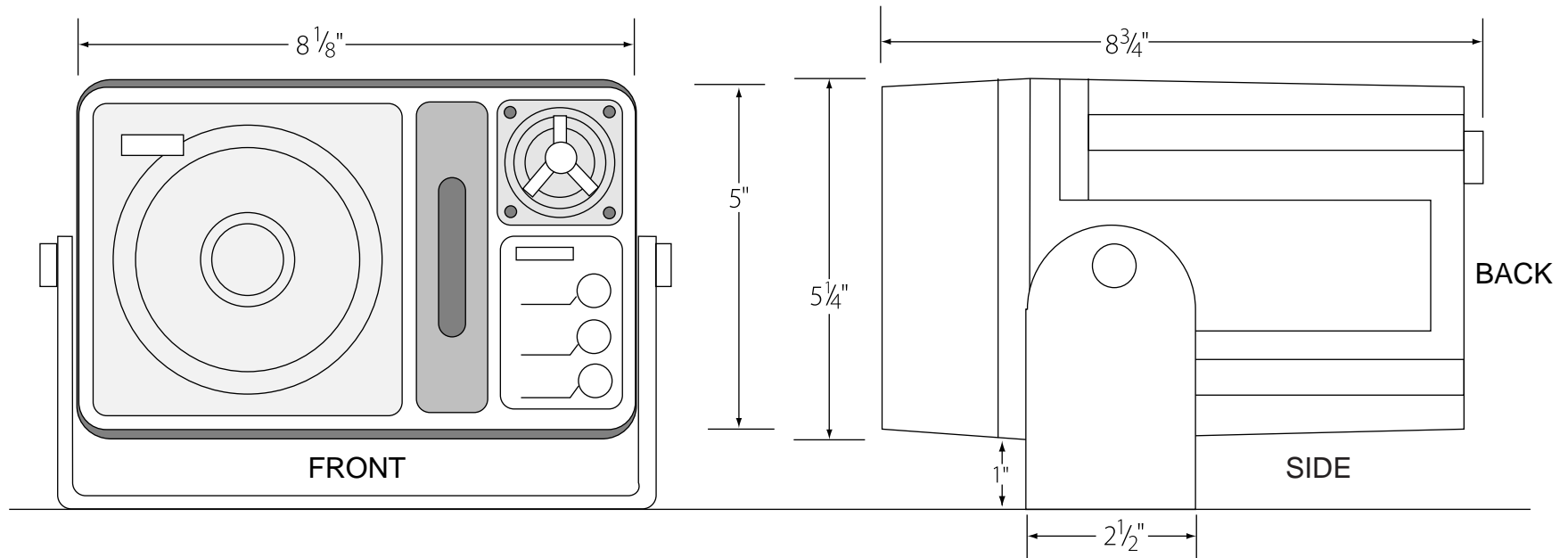


Anchor AN-100/1000/1000x Powered Loudspeaker



**RIVERVIEW
SYSTEMS
GROUP, INC.**
1565-C MABURY ROAD
SAN JOSE, CA 95133
408/347-3700
FAX: 408/347-3701
WEB: www.riverview.com

Weight:	8lb
Electrical Line / Load:	120 vac /50 w
Contol Location;	Front / RT/ Side
Connector Location:	Back
Ventilation Exhausts::	None
IR Remote Window:	None
Recommendations:	Bracket Removes